

Conveyor accessories

F45

FT

FS

FL

FLP

F65

FM

FMP

F85

F85P

FH

FK

FKP

FB140

FB175

FB295

SPIRAL

FW

FLX

FMX

FHX

FBX175

FBX295

ACC

CA

FC

TOOL

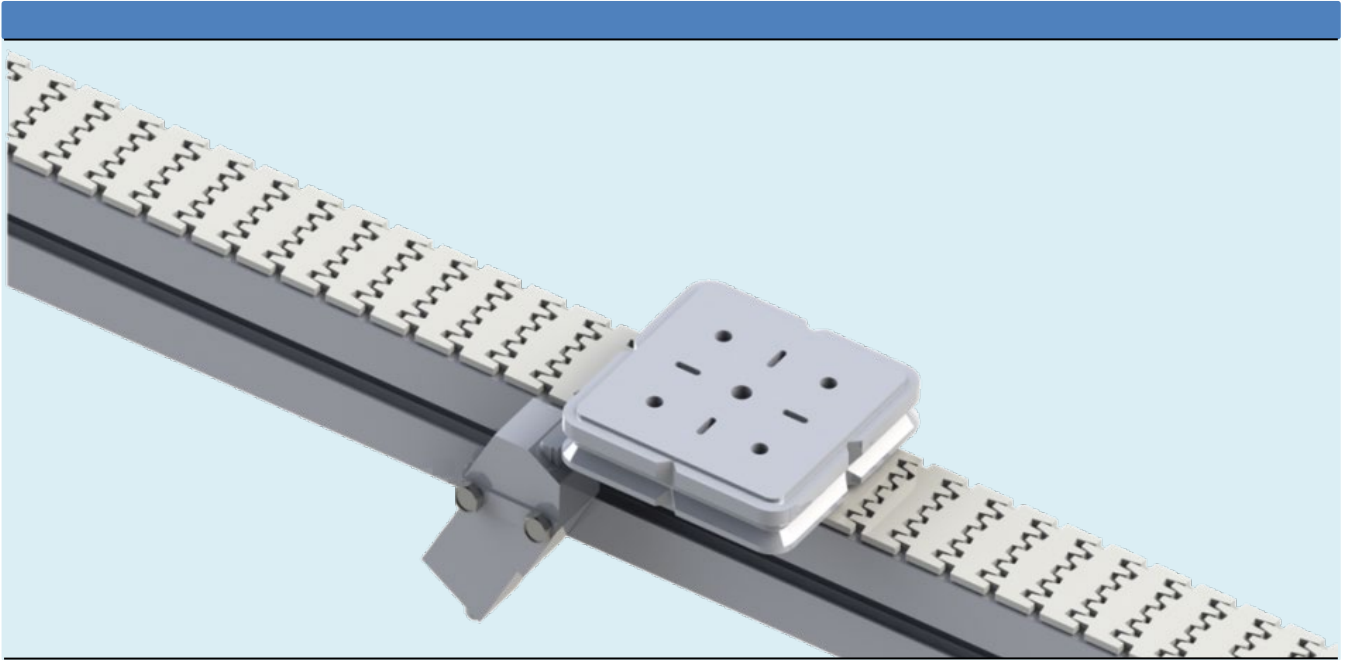
IDX

Contents

Pallet-FL 2

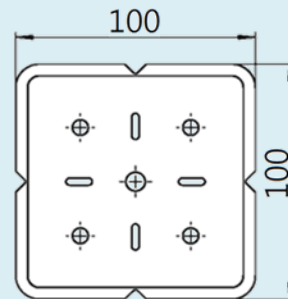
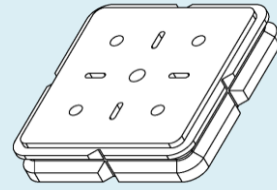
Guide rail for pallets in bends-FL 5

Pallet-FL



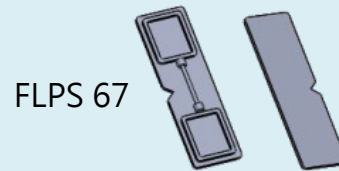
Pallet-FL

FLPP 100X100 100 X 100

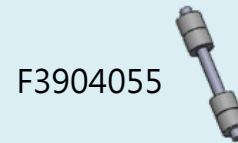


Accessories

FLPS 67 Slide block for pallet
One slide block



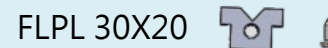
F3904055 Shaft and roller kit
One shaft, four rollers



F3904052 Shock absorber
One shock absorber



FLPL 30X20 Initiator plate
Including screw



F45

FT

FS

FL

FLP

F65

FM

FMP

F85

F85P

FH

FK

FKP

FB140

FB175

FB295

SPIRAL

FW

FLX

FMX

FHX

FBX175

FBX295

ACC

CA

FC

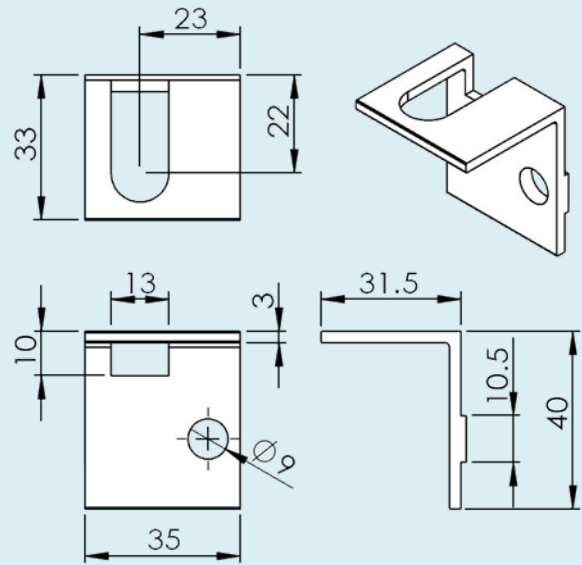
TOOL

IDX

Pallet-FL

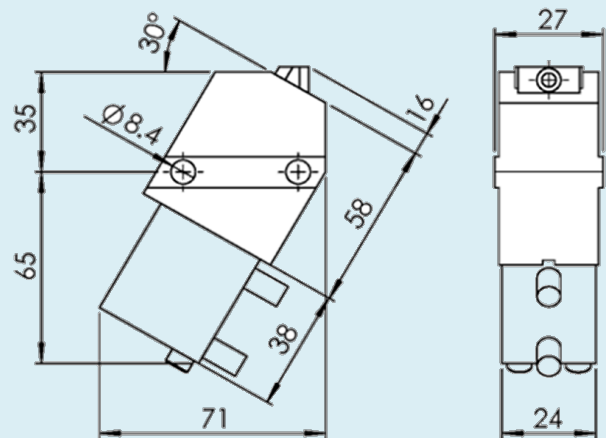
FMPB 12

Bracket for proximity switch
Diameter 12

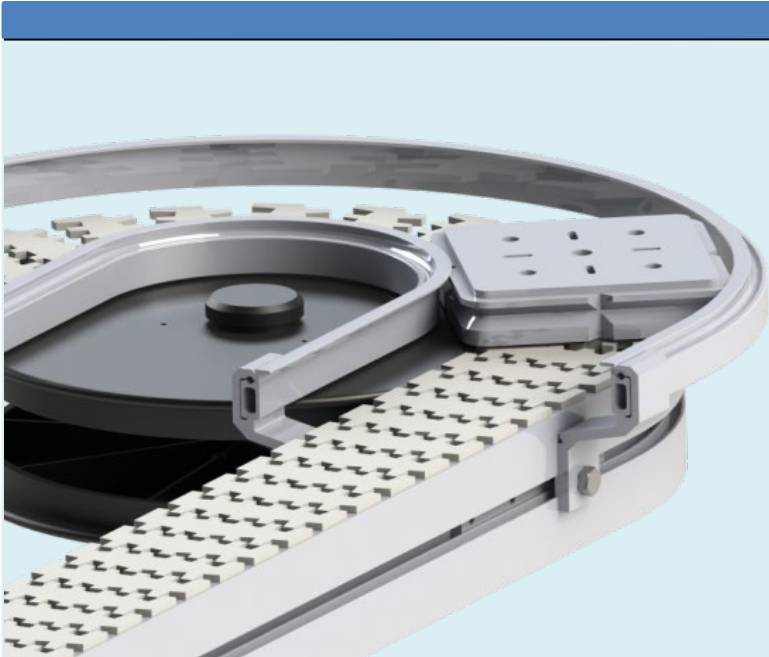


FLPD 20X10

Pneumatic stop cylinder



Guide rail for pallets in bends-FL



F45

FT

FS

FL

FLP

F65

FM

FMP

F85

F85P

FH

FK

FKP

FB140

FB175

FB295

SPIRAL

FW

FLX

FMX

FHX

FBX175

FBX295

ACC

CA

FC

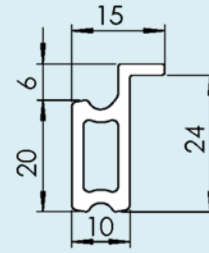
TOOL

IDX

Guide rail for pallets in bends-FL

Straight guide rail

FLRS 3X10FL Length 3m

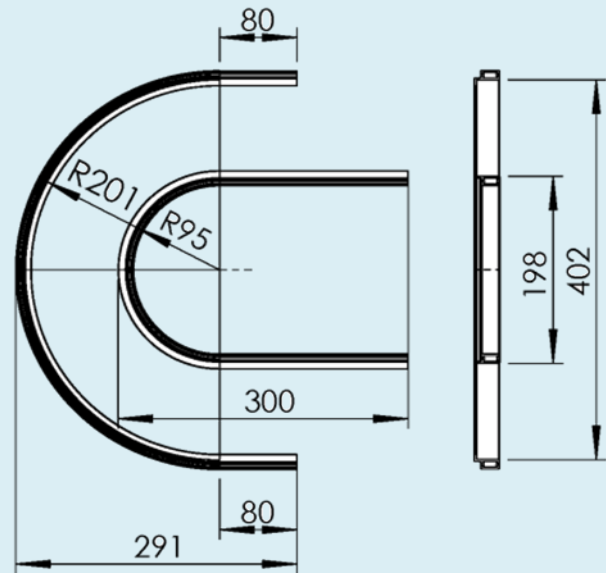


F3904896

Outer guide rail for 180° bend

F3905238

Inner guide rail for 180° bend



F3904897

Outer guide rail for 90° bend

F3905239

Inner guide rail for 90° bend

